



- 额定电流最高达 10A  
Rated currents up to 10A
- 带两个保险丝  
With 2 fuses for more safety
- 可选医疗型 (M 型)  
Optional medical versions (M type)
- 可选卡椎插入型 (K 型)  
Optional Snap-in versions
- 安规认证: 

#### 特点 Features

- IEC 标准插座带 2 个保险丝滤波器  
IEC Connector Integrative Filter with 2 Fuses
- 通用、小巧、方便安装  
General purpose, compact, easy for installation and use
- 高性价比  
High performance to cost make

#### 应用 Application

- 用于便携式电子设备、小型和中型电子设备和电子测量仪器  
Apply for portable electric equipment, mini to middle size electronic equipments and measuring instruments
- 用于单相电源, 开关电源  
Single-phase power supplies, switch-mode power supplies
- 医疗设备及医疗特别应用, 低泄漏电流  
Medical equipment and medical typical applications, low leakage current

#### 技术参数 Technical Data

额定电压 Rated Voltage	125/250VAC
工作频率 Operation Frequency	50/60Hz
额定电流 Rated Current	1-10A
耐压测试 Hi-pot Test	1450VDC, 2 sec (线对线 Line to Line) 2250VDC 2sec (线对地 Line to Ground)
气候类别 Climate Category	25/85/21 (-25°C to +85°C)
设计参考标准 Design corresponding to	UL 1283, CSA 22.2 No. 8 1986, IEC/EN 60939

#### 电路原理图 Electrical Schematic

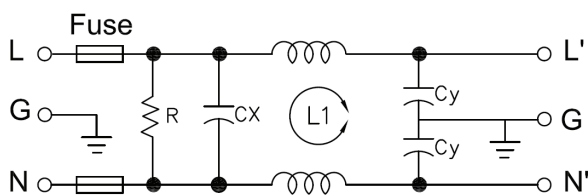


Fig 1

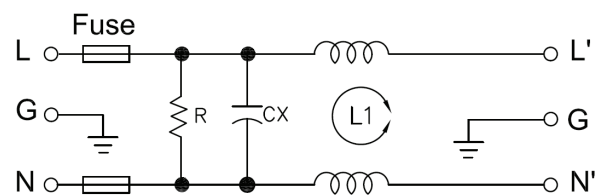
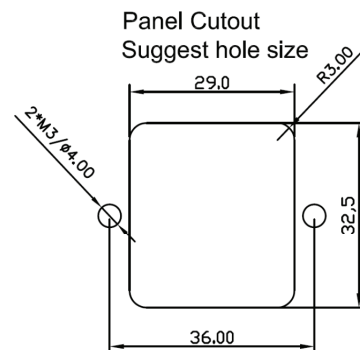
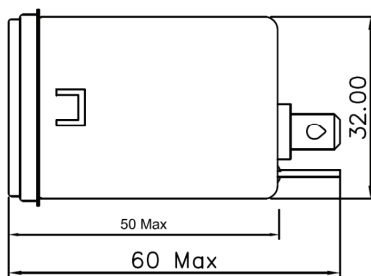
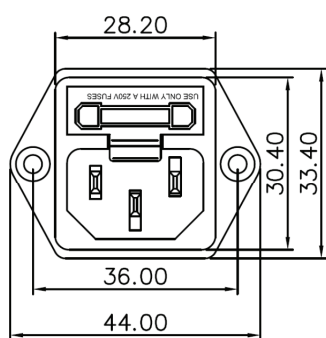


Fig 2

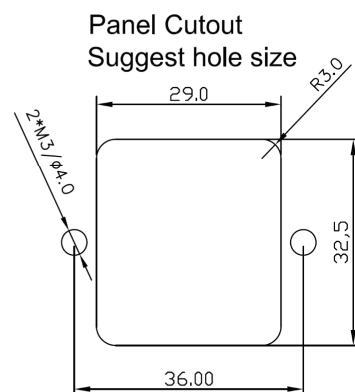
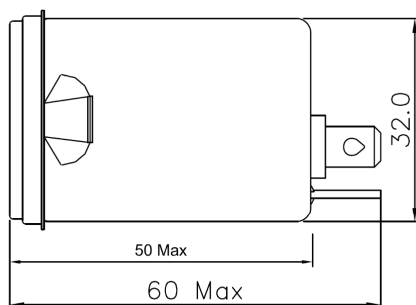
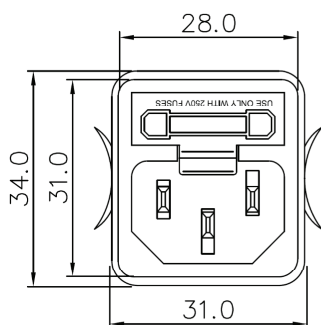
**选型表 Type Selection Table**

型号 Model	额定电流(A) Rated Current	泄漏电流(≤mA) Leakage Current	电路图 Circuit Diagram	外形尺寸 Dim. Fig.	出线端子方式 Output Connection
DF101-1A-01D	1	0.5	Fig 1	A2	Standard
DF101-3A-01D	3	0.5	Fig 1	A2	Standard
DF101-6A-01D	6	0.5	Fig 1	A2	Standard
DF101-10A-01D	10	0.5	Fig 1	A2	Standard
DF101-1A-01DM	1	0.25	Fig 2	A2	Standard
DF101-3A-01DM	3	0.25	Fig 2	A2	Standard
DF101-6A-01DM	6	0.25	Fig 2	A2	Standard
DF101-10A-01DM	10	0.25	Fig 2	A2	Standard
DF101-1A-01KD	1	0.5	Fig 1	A2-K	Standard
DF101-3A-01KD	3	0.5	Fig 1	A2-K	Standard
DF101-6A-01KD	6	0.5	Fig 1	A2-K	Standard
DF101-10A-01KD	10	0.5	Fig 1	A2-K	Standard
DF101-1A-01KDM	1	0.25	Fig 2	A2-K	Standard
DF101-3A-01KDM	3	0.25	Fig 2	A2-K	Standard
DF101-6A-01KDM	6	0.25	Fig 2	A2-K	Standard
DF101-10A-01KDM	10	0.25	Fig 2	A2-K	Standard

**外形尺寸 Outline Dimensions(mm)**



**A2**



**A2-K**

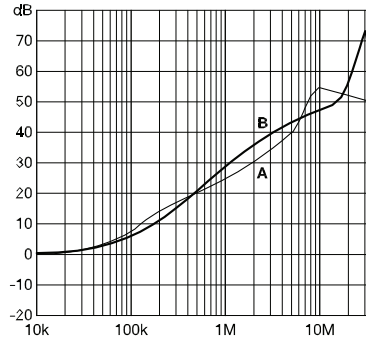
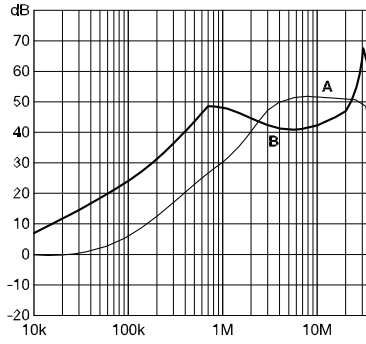
### 插入损耗 Insertion Loss in dB

(50Ω/50Ω 环境下插入损耗 Insertion Loss in dB measured in a 50Ω/50Ω system, as IEC/CISPR No. 17 )

A=Differential mode (差模) B=Common Mode(共模)

1 to 3A types

6 to 10A types



备注：以上规格为公司标准产品，可根据客户产品定制设计产品性能和尺寸外观。

Remark: Customized products are available according to special performance or dimensions requirements

更多产品请登陆官方网站: <http://www.dephir.com>

For more products please go to official website: <http://www.dephir.com>