



- 额定电流最高达 10A
Rated currents up to 10A
- 带一个保险丝
With 1 fuse for more safety
- 可选医疗型 (M 型)
Optional medical versions (M type)
- 可选卡推插入型 (K 型)
Optional Snap-in versions
- 安规认证:  Approval:

特点 Features

- IEC 标准插座带 1 个保险丝滤波器
IEC Connector Integrative Filter with 1 Fuse
- 通用、小巧、方便安装
General purpose, compact, easy for installation and use
- 高性价比
High performance to cost make

应用 Application

- 用于便携式电子设备、小型和中型电子设备和电子测量仪器
Apply for portable electric equipment, mini to middle size electronic equipments and measuring instruments
- 用于单相电源, 开关电源
Single-phase power supplies, switch-mode power supplies
- 医疗设备及医疗特别应用, 低泄漏电流
Medical equipment and medical typical applications, low leakage current

技术参数 Technical Data

额定电压 Rated Voltage	125/250VAC
工作频率 Operation Frequency	50/60Hz
额定电流 Rated Current	1-10A
耐压测试 Hi-pot Test	1450VDC, 2 sec (线对线 Line to Line) 2250VDC 2 sec (线对地 Line to Ground)
气候类别 Climate Category	25/85/21 (-25°C to +85°C)
设计参考标准 Design corresponding to	UL 1283, CSA 22.2 No. 8 1986, IEC/EN 60939

电路原理图 Electrical Schematic

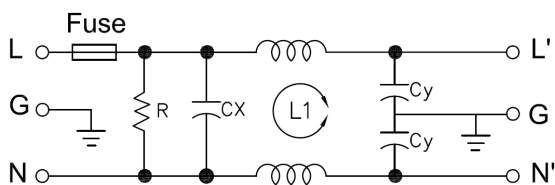


Fig 1

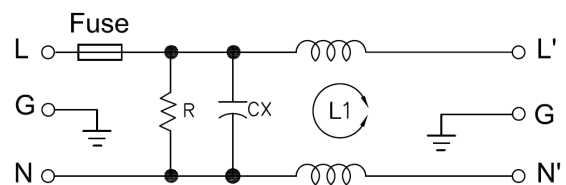
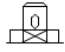
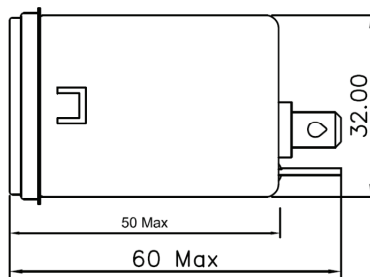
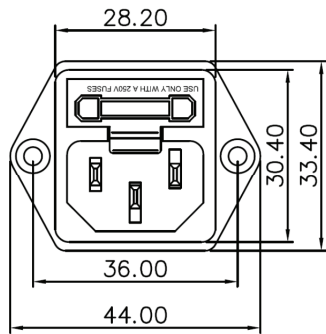


Fig 2

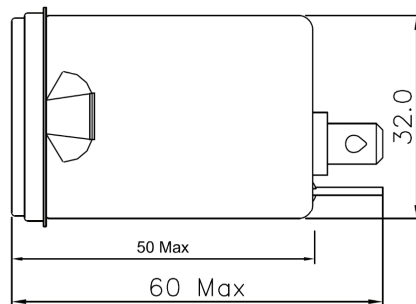
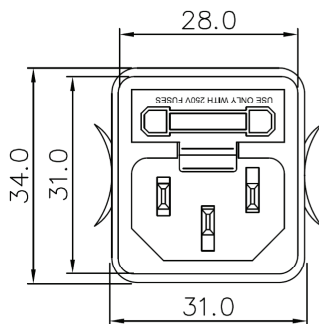
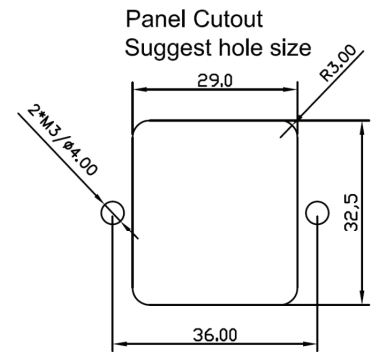
选型表 Type Selection Table

型号 Model	额定电流(A) Rated Current	泄漏电流(≤mA) Leakage Current	电路图 Circuit Diagram	外形尺寸 Dim. Fig.	出线端子方式	Output Connection
						
DF101-1A-01	1	0.5	Fig 1	A2	Standard	Standard
DF101-3A-01	3	0.5	Fig 1	A2	Standard	Standard
DF101-6A-01	6	0.5	Fig 1	A2	Standard	Standard
DF101-10A-01	10	0.5	Fig 1	A2	Standard	Standard
DF101-1A-01M	1	0.01	Fig 2	A2	Standard	Standard
DF101-3A-01M	3	0.01	Fig 2	A2	Standard	Standard
DF101-6A-01M	6	0.01	Fig 2	A2	Standard	Standard
DF101-10A-01M	10	0.01	Fig 2	A2	Standard	Standard
DF101-1A-01K	1	0.5	Fig 1	A2-K	Standard	Standard
DF101-3A-01K	3	0.5	Fig 1	A2-K	Standard	Standard
DF101-6A-01K	6	0.5	Fig 1	A2-K	Standard	Standard
DF101-10A-01K	10	0.5	Fig 1	A2-K	Standard	Standard
DF101-1A-01KM	1	0.01	Fig 2	A2-K	Standard	Standard
DF101-3A-01KM	3	0.01	Fig 2	A2-K	Standard	Standard
DF101-6A-01KM	6	0.01	Fig 2	A2-K	Standard	Standard
DF101-10A-01KM	10	0.01	Fig 2	A2-K	Standard	Standard

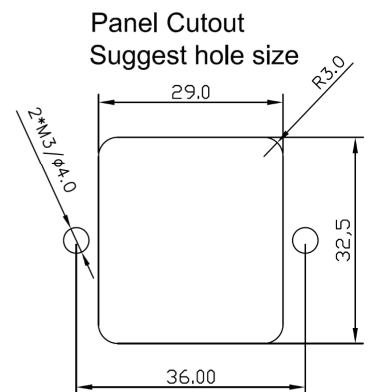
外形尺寸 Outline Dimensions(mm)



A2



A2-K

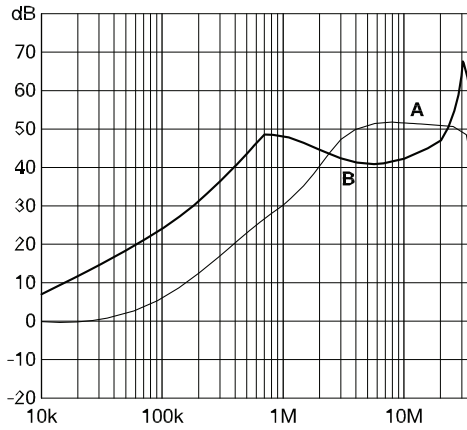


插入损耗 Insertion Loss in dB

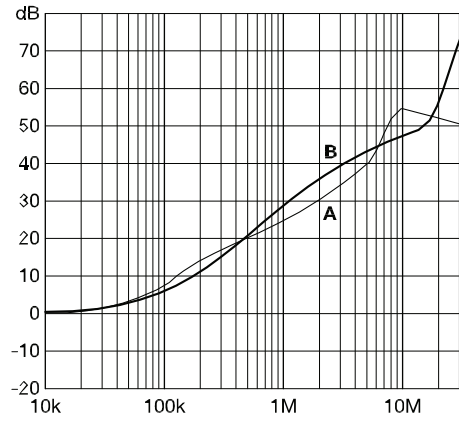
(50Ω/50Ω 环境下插入损耗 Insertion Loss in dB measured in a 50Ω/50Ω system, as IEC/CISPR No. 17)

A=Differential mode (差模) B=Common Mode(共模)

1 to 3A types



6 to 10A types



备注：以上规格为公司标准产品，可根据客户产品定制设计产品性能和尺寸外观。

Remark: Customized products are available according to special performance or dimensions requirements

更多产品请登陆官方网站：<http://www.dephir.com>

For more products please go to official website: <http://www.dephir.com>