




- 额定电流最高达 10A
Rated currents up to 10A
- 带两个保险丝，确保设备安全
With 2 fuses for better safety
- 整合船形开关
Integrated 2-pole rocker switch
- 可选医疗型（M 型）
Optional medical versions (M type)
- 安规认证： Approval:

特点 Features

- IEC 标准插座带 2 个保险丝和开关滤波器
IEC Connector Integrative Filter with 2 Fuses and Switch
- 通用、小巧、方便安装，
General purpose, compact, easy for installation and use
- 快速实用的解决方案以帮助您的设备通过 EMI 系统认证
Practical solution to help your facility pass EMI system approval in a short time

应用 Application

- 用于便携式电子设备和电子测量仪器
Available for portable electronic equipments and measuring instruments
- 应用于消费电子产品、单相电源、开关电源等
Apply to consumer goods, single phase power supplies, switch-mode power supplies
- 医疗设备及医疗特别应用，超低泄漏电流
Medical equipment and medical typical applications, low leakage current

技术参数 Technical Data

额定电压 Rated Voltage	125/250VAC
工作频率 Operation Frequency	50/60Hz
额定电流 Rated Current	1-10A
耐压测试 Hi-pot Test	1450VDC 2 sec (线对线 Line to Line) 2250VDC 2 sec (线对地 Line to Ground)
气候类别 Climate Category	25/85/21 (-25°C to +85°C)
设计参考标准 Design corresponding to	UL 1283, CSA 22.2 No. 8 1986, IEC/EN 60939

电路原理图 Electrical Schematic

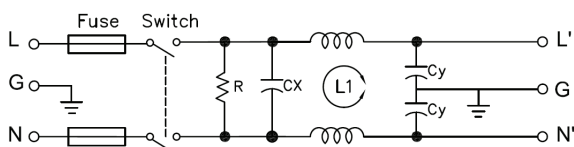


Fig 1

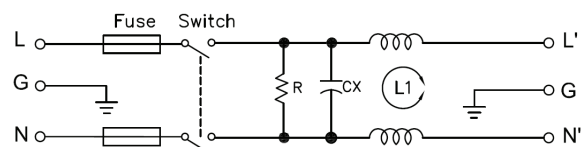
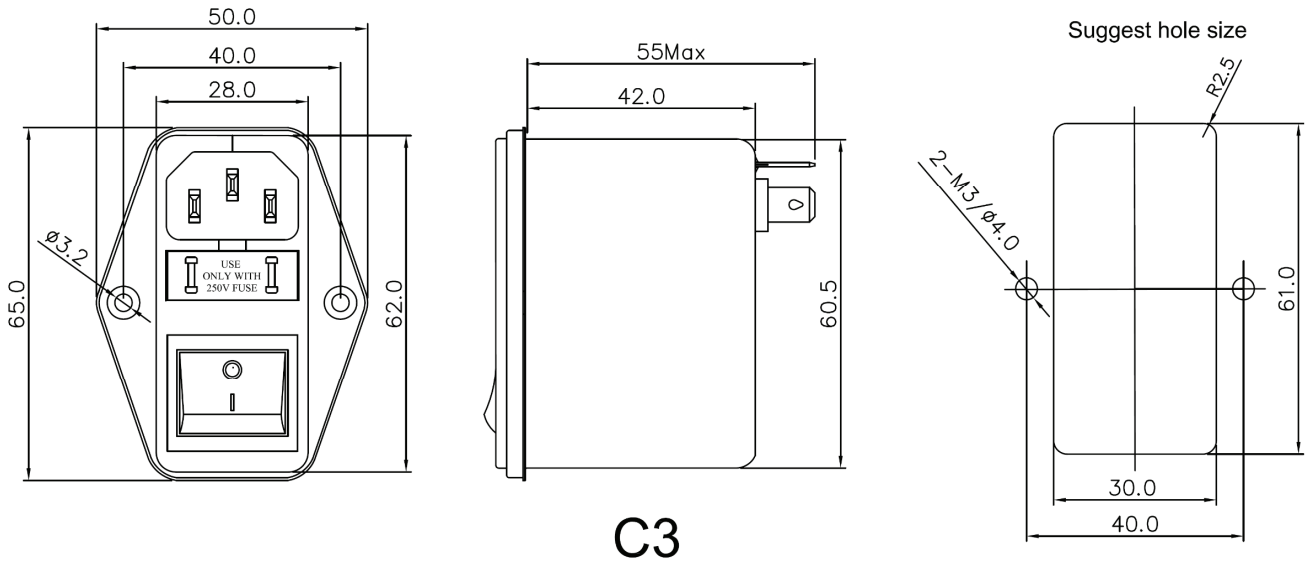


Fig 2

选型表 Type Selection Table

型号 Model	额定电流(A) Rated Current	泄漏电流(≤mA) Leakage Current	电路图 Circuit Diagram	外形尺寸 Dim. Fig.	出线端子方式 Output Connection
DF102-1A-01D	1	0.5	Fig 1	C3	Standard
DF102-3A-01D	3	0.5	Fig 1	C3	Standard
DF102-6A-01D	6	0.5	Fig 1	C3	Standard
DF102-10-01D	10	0.5	Fig 1	C3	Standard
DF102-1A-01DM	1	0.01	Fig 2	C3	Standard
DF102-3A-01DM	3	0.01	Fig 2	C3	Standard
DF102-6A-01DM	6	0.01	Fig 2	C3	Standard
DF102-10A-01DM	10	0.01	Fig 2	C3	Standard

外形尺寸 Outline Dimensions(mm)

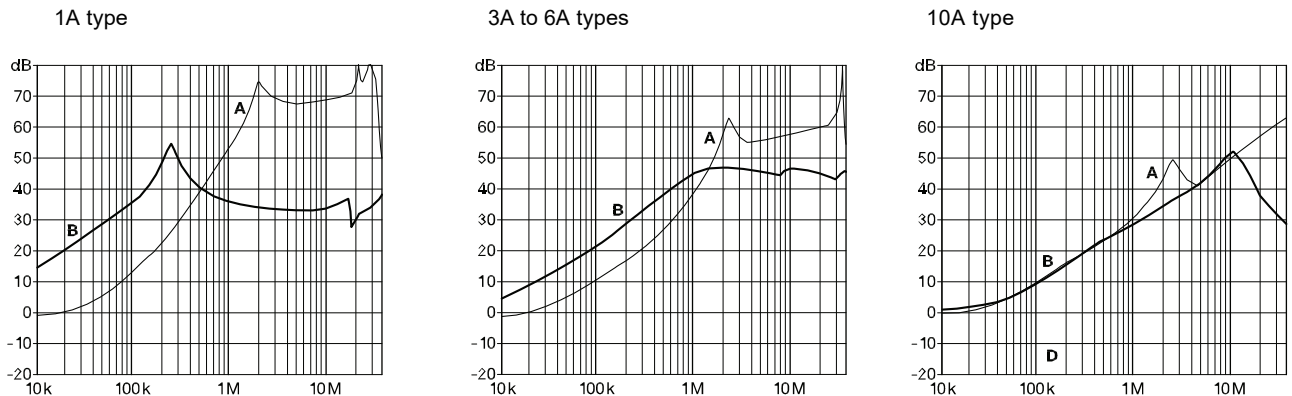


C3

插入损耗 Insertion Loss in dB

(50Ω/50Ω 环境下插入损耗 Insertion Loss in dB measured in a 50Ω/50Ω system, as IEC/CISPR No. 17)

A=Differential mode (差模) B=Common Mode(共模)



备注：以上规格为公司标准产品，可根据客户产品定制设计产品性能和尺寸外观。

Remark: Customized products are available according to special performance or dimensions requirements

更多产品请登陆官方网站：<http://www.dephir.com>

For more products please go to official website: <http://www.dephir.com>