


- 额定电流最高达 250A
Rated currents up to 250A
- 适于大噪声环境的高性能滤波器
High-performance filter for extremely noisy applications
- 极大地改善安装可靠性和抗干扰性
Significantly improves the reliability and immunity of installations
- 可选不同的出线连接方式
Different output connections optional
- 安规认证: 

特点 Features

- 紧凑，高性能三相滤波器
Compact, high performance three phase power line filter
- 极佳的差模和共模衰减性能
High performance of differential mode and common mode performance

应用 Application

- 用于工业设备、机器、工具如包装机、压机、钻机、镭射切割机、焊接机、电梯、扶梯等
Mainly industrial equipment, machinery and machine tools such as packaging machines, extruders, milling and drilling machines, laser cutting machines, welding machines, elevators, escalators etc.
- 适用于大部分的马达驱动应用
The filters are ideal for most motor drive applications

技术参数 Technical Data

额定电压 Rated Voltage	380/440VAC
工作频率 Operation Frequency	50/60Hz
额定电流 Rated Current	10-250A
耐压测试 Hi-pot Test	1450VDC, 2 sec (线对线 Line to Line) 2250VDC 2sec (线对地 Line to Ground)
泄漏电流 Leakage Current	40mA Max.
气候类别 Climate Category	25/85/21 (-25°C to +85°C)
设计参考标准 Design corresponding to	UL 1283, CSA 22.2 No. 8 1986, IEC/EN 60939

电路原理图 Electrical Schematic

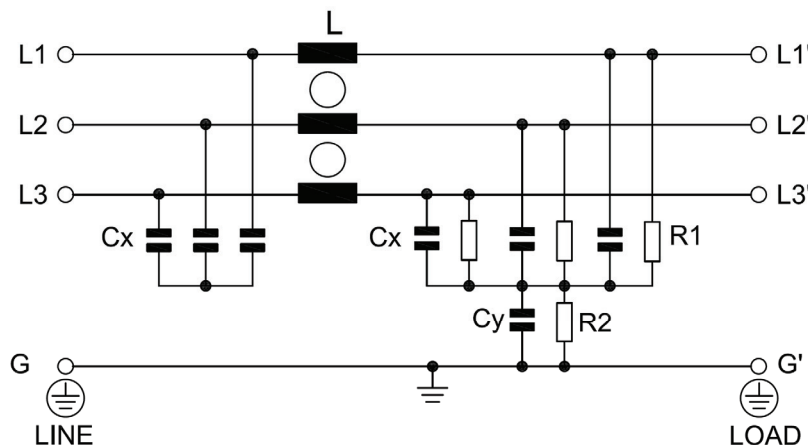

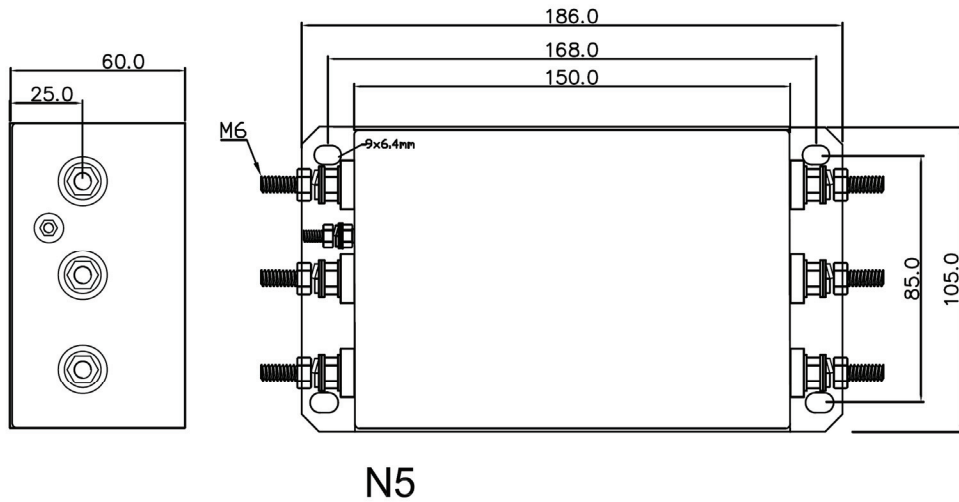
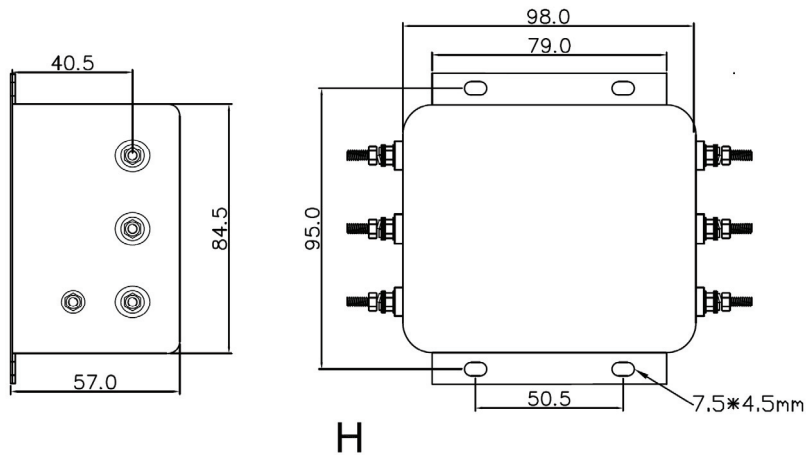


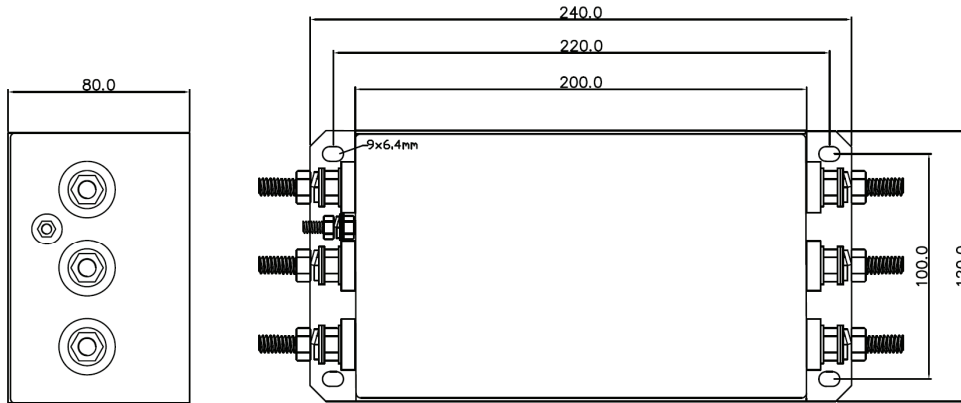
Fig 1

选型表 Type Selection Table

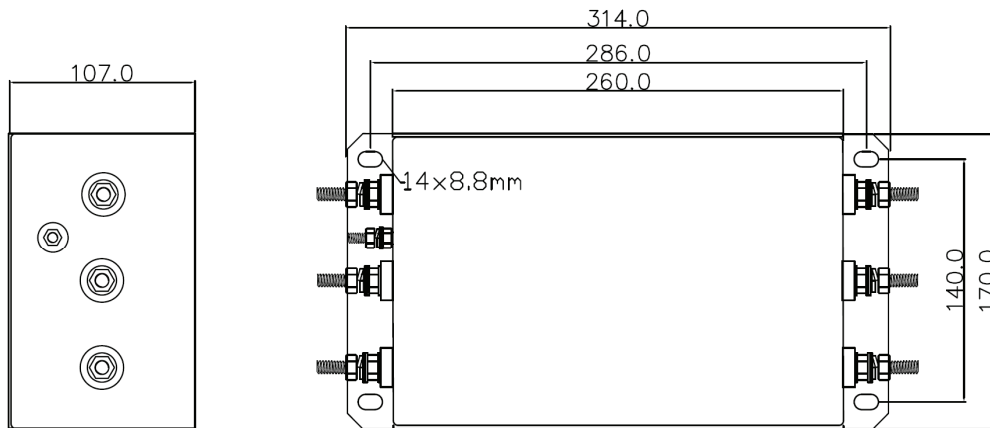
型号 Model	额定电流(A) Rated Current	泄漏电流(≤mA) Leakage Current	电路图 Circuit Diagram	外形尺寸 Dim. Fig.	出线端子方式 Output Connection
					Screw 
DF301-10A-01	10	10	Fig. 1	H	M4
DF301-20A-01	20	10	Fig. 1	H	M4
DF301-30A-01	30	10	Fig. 1	H	M6
DF301-40A-01	40	10	Fig. 1	H	M6
DF301-50A-01	50	10	Fig. 1	H	M6
DF301-65A-01	65	20	Fig. 1	N5	M6
DF301-80A-01	80	20	Fig. 1	N5	M8
DF301-100A-01	100	20	Fig. 1	N10	M8
DF301-120A-01	120	40	Fig. 1	N10	M8
DF301-150A-01	150	40	Fig. 1	N10	M10
DF301-180A-01	180	40	Fig. 1	N12	M10
DF301-200A-01	200	40	Fig. 1	N12	M10
DF301-250A-01	250	40	Fig. 1	N12	M10

外形尺寸 Outline Dimensions(mm)





N10



N12

插入损耗 Insertion Loss in dB

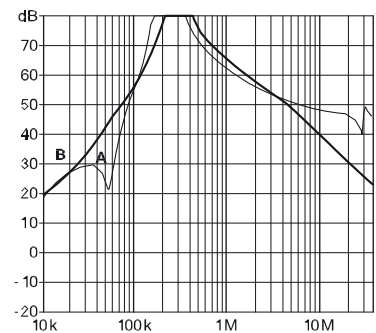
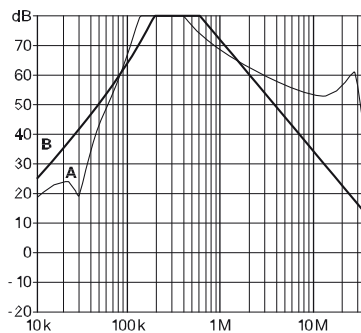
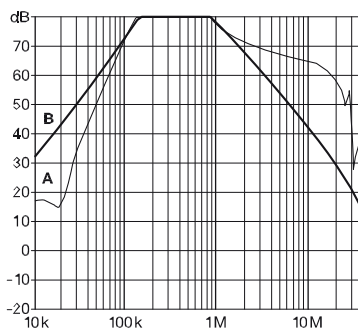
(50Ω/50Ω 环境下插入损耗 Insertion Loss in dB measured in a 50Ω/50Ω system, as IEC/CISPR No. 17)

A=Differential mode (差模) B=Common Mode(共模)

10 to 50 A types

65 to 100A types

120A to 250A types



备注：以上规格为公司标准产品，可根据客户产品定制设计产品性能和尺寸外观。

Remark: Customized products are available according to special performance or dimensions requirements

更多产品请登陆官方网站: <http://www.dephir.com>

For more products please go to official website: <http://www.dephir.com>