




- 额定电流最高达 1600A
Rated currents up to 1600A
- 为变频器、伺服等特别干扰严重场合设计
Design for Converters and high noise environment
- 卓越的滤波效果
Excellent Filter performance
- 超紧凑型设计，安全防护型的端子台接线方式
Compact design with touch-safe Terminal Block
- 直接匹配各种品牌变频器、逆变器、工业驱动系统
Applicant for variable brands of Frequency inverters, motor drivers and servo, variable speed drivers.
- 安规认证: 
Approval:

应用 Application

专门针对变频/伺服器及变频设备工作时输入端对电网及 PLC、DSC 系·统等数字设备产生的干扰而设计
Specified design for VVVF/Servo and Frequency Converters. Design for EMC noise suppression and connect on the power input side to quarantine the interference way between power network and VVVF.

- 用于工业设备、机器、电梯、扶梯、数控精密机床、注塑机、加油机、焊机、自动化设备等
Mainly industrial equipment, machinery and machine tools such as elevators, escalators, digital precise machine tool, injection machines, oil machine, automotive equipments etc.
- 适用于大部分的工业马达驱动应用
The filters are ideal for most motor drive applications

技术参数 Technical Data

额定电压 Rated Voltage	480 VAC
工作频率 Operation Frequency	50/60Hz
额定电流 Rated Current	5-1600A
防护等级 Protection Category	IP20(10~130A), IP00(150A~1600A)
耐压测试 Hi-pot Test	2250VDC, 2 sec (线对线 Line to Line) 2700VDC 2sec (线对地 Line to Ground)
气候类别 Climate Category	25/85/21 (-25°C to +85°C)
过载 Overload Capability	4x rated current at switch on, 1.5x rated current for 1minutes, once per hour
设计参考标准 Design corresponding to	UL 1283, CSA 22.2 No. 8 1986, IEC/EN 60939

电路原理图 Electrical Schematic

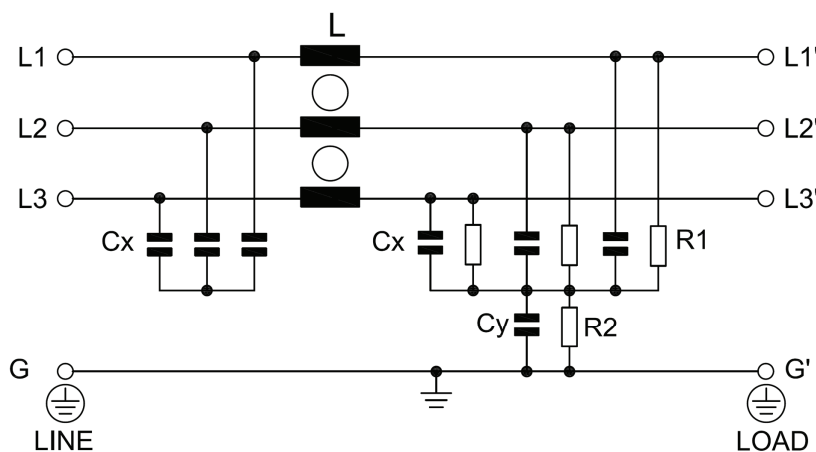






Fig 1

选型表 Type Selection Table

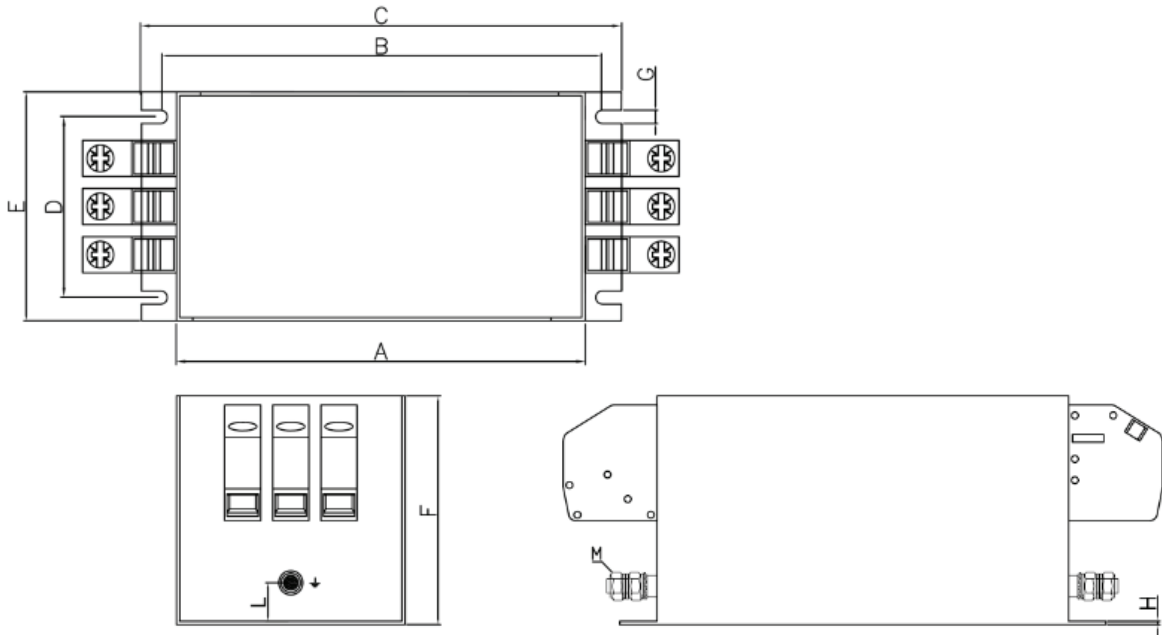
型号 Model	额定电流(A) Rated Current	变频器容量 (KW) Driver Power Rating	泄漏电流(≤mA) Leakage Current	外形尺寸 Dim. Fig.	接线方式 Output Connection		
					 Terminal Block	 Screw	 Copper Bar
DF600-5A-01T	5	0.75/1.5	25	F2	-10	-	-
DF600-8A-01T	10	2.2/3.7	25	F2	-10	-	-
DF600-16A-01T	16	5.5/7.5	30	F2	-10	-	-
DF600-30A-01T	30	11/14	30	F2	-10	-	-
DF600-45A-01T	45	18.5/22	30	F5	-16	-	-
DF600-55A-01T	55	30	60	F5	-16	-	-
DF600-75A-01T	75	37	60	F5	-16	-	-
DF600-100A-01T	100	45	60	F10	-25	-	-
DF600-120A-01T	120	55	60	F12	-50	-	-
DF600-130A-01T	130	75	60	F12	-50	-	-
DF600-150A-01T	150	90	80	N10	-	M10	-
DF600-200A-01T	200	110	80	N12	-	M10	-
DF600-250A-01T	250	125	80	N12	-	M10	-
DF600-300A-01T	300	132/150	80	N30	-	-	25x5
DF600-420A-01T	420	160/210/220	80	N30	-	-	25x5
DF600-500A-01T	500	250/260	90	N60	-	-	30x6
DF600-600A-01T	600	280/315	90	N60	-	-	30x6
DF600-800A-01T	800	400	90	N80	-	-	40x8
DF600-1000A-01T	1200	500	90	N90	-	-	50x10
DF600-1100A-01T	1200	550	90	N90	-	-	50x10
DF600-1200A-01T	1200	600	90	N90	-	-	50x10
DF600-1600A-01T	1600	700	90	N100	-	-	60x10

REMARK:

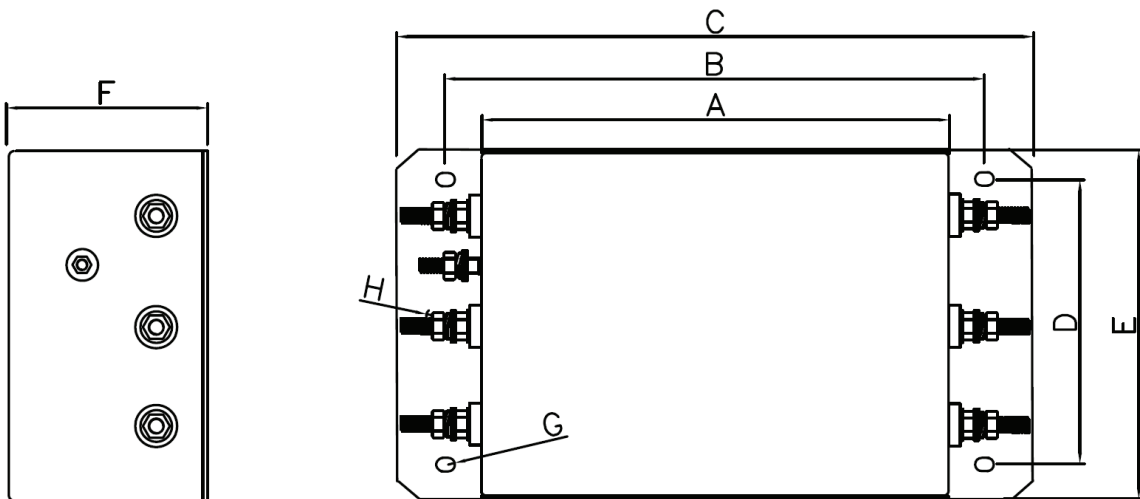
端子台安装方式说明(Terminal Block Installation Instruction):

	 -10	 -16	 -25	 -50
单线 Solid Wire	16mm ²	25mm ²	35mm ²	50mm ²
多芯线 Flex Wire	10 mm ²	16 mm ²	25 mm ²	50 mm ²
美规线 AWG Type Wire	6	4	3	1/0
剥皮长度 Wire Strip Length	10mm	16mm	19mm	24mm
推荐扭力 Recommend Torque	1.7 N-m	2.8 N-m	3.8N-m	5.9 N-m

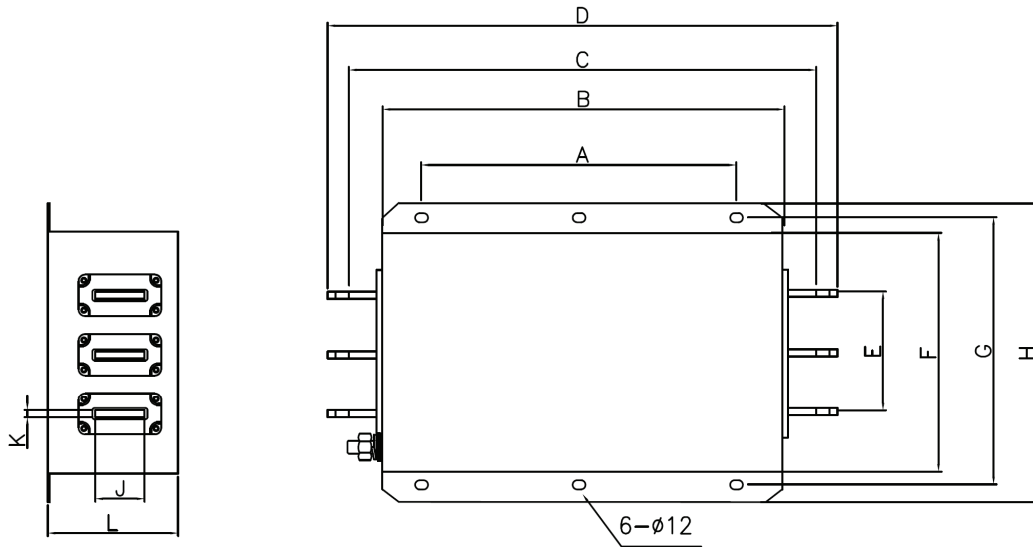
外形尺寸 Outline Dimensions(mm)



	A	B	C	D	E	F	G	H	L	M
F2	120	132.5	150	42.0	58	58	4.5	1.0	16	M6
F5	140	152.5	170	65.0	85	85	5.5	1.0	15	M6
F10	170	182.5	200	75.0	95	95	5.5	1.5	16	M6
F12	200	212.5	230	75.0	95	95	5.5	1.5	16	M6



	A	B	C	D	E	F	G	H
N10	200	220	240	100.0	120	80	6.4*9	M6
N12	260	286	314	140.0	170	107	8.8*14	M8



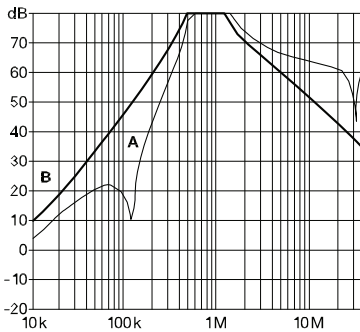
	A	B	C	D	E	F	G	H	K	J	L
N30	240	300	360	394	120	210	235	260	5.0	25	115
N60	290	350	410	444	120	210	230	256	6.0	30	162
N80	290	350	446	475	120	210	230	256	8.0	40	162
N90	290	350	456	485	120	210	230	256	10	50	162
N100	290	350	456	485	120	210	230	256	10	60	162

插入损耗 Insertion Loss in dB

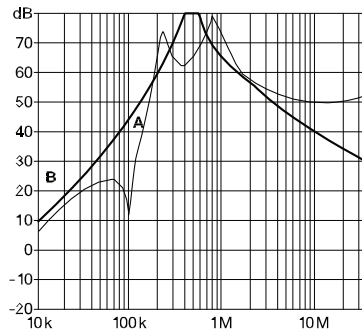
(50Ω/50Ω 环境下插入损耗 Insertion Loss in dB measured in a 50Ω/50Ω system, as IEC/CISPR No. 17)

A=Differential mode (差模) B=Common Mode(共模)

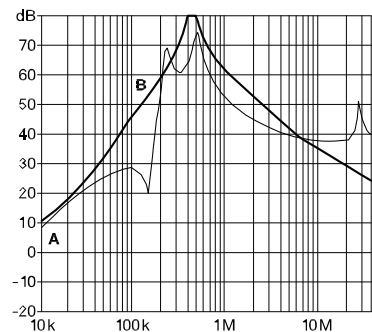
5 and 30A types



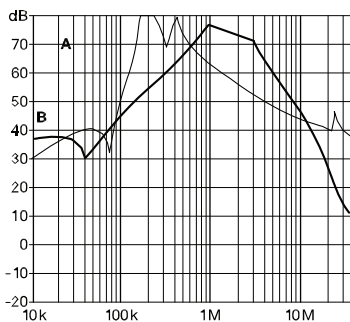
45 to 130A types



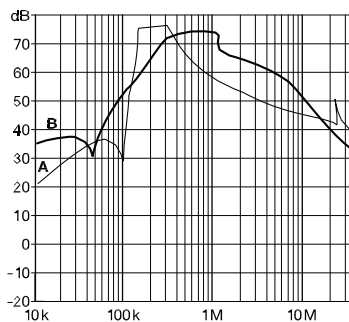
150 to 250A type



300 and 600A types



800 to 1600A types



备注：以上规格为公司标准产品，可根据客户产品定制设计产品性能和尺寸外观。

Remark: Customized products are available according to special performance or dimensions requirements

更多产品请登陆官方网站: <http://www.dephir.com>

For more products please go to official website: <http://www.dephir.com>