




- 额定电流最高达 1600A
Rated currents up to 1600A
- 具有 dv/dt 抑制效果
Dv/dt limitation
- 有效减少变频器输出侧的电磁干扰
Reduction of electromagnetic interference levels from Inverters
- 安规认证: 
Approval:

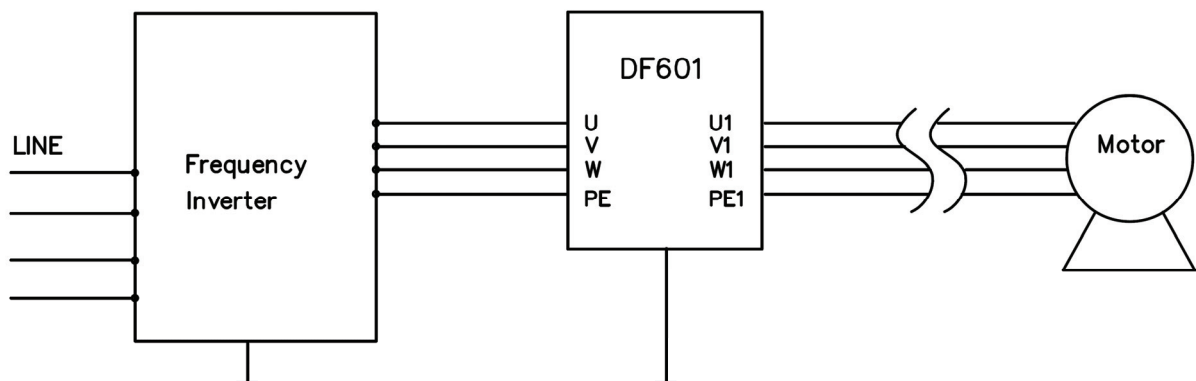
应用 Application

- 专用于变频/伺服器输出端。用于解决变频器对电机的 EMC 干扰,减少变频器输出对外界的耦合干扰
Specified design for VVVF or Servo output side to reduce the EMC interference on motor.
- 降低 IGBT 输出的高次谐波,防止变频器逆变过程中的谐波对电机的干扰
Prevent the harmonic coming from Inverter to interfere the motor
抑制 dv/dt, 缓解变频器输出的尖峰脉冲对电机造成的伤害,降低电机噪音,解决电机快速老化问题
Suppression the dv/dt, Relieve the harm of peak voltage from Inverters on the motor, reduce the noise of motor. Prevent the motor from quickly ageing
- 降低变频器输出端长电缆产生的射频干扰
To reduce the RFI interference from the long cable of Frequency Converters on the output side

技术参数 Technical Data

额定电压 Rated Voltage	380/440 VAC
工作频率 Operation Frequency	0~120 Hz
额定电流 Rated Current	5-1200A
开关频率 Switching Frequency	16K Hz max
耐压测试 Hi-pot Test	2250VDC, 1 minutes (线对线 Line to Line) 2700VDC 1 minutes (线对地 Line to Ground)
气候类别 Climate Category	25/85/21 (-25°C to +85°C)
设计参考标准 Design corresponding to	UL 1283, CSA 22.2 No. 8 1986, IEC/EN 60939

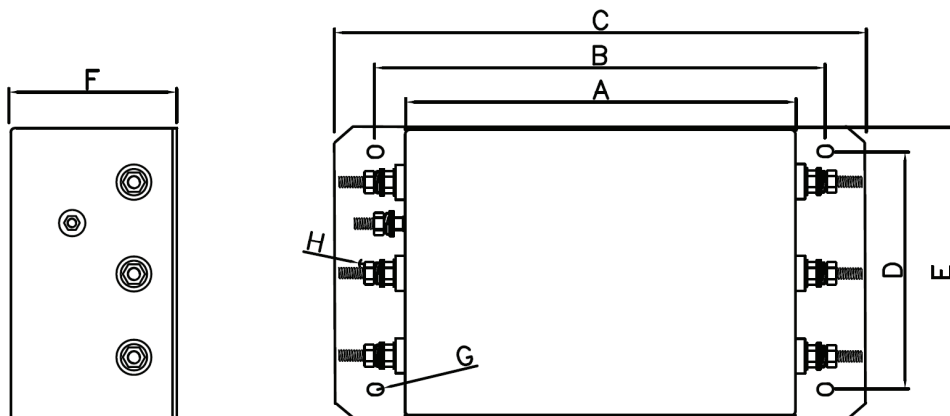
安装示意图 Connection Diagram



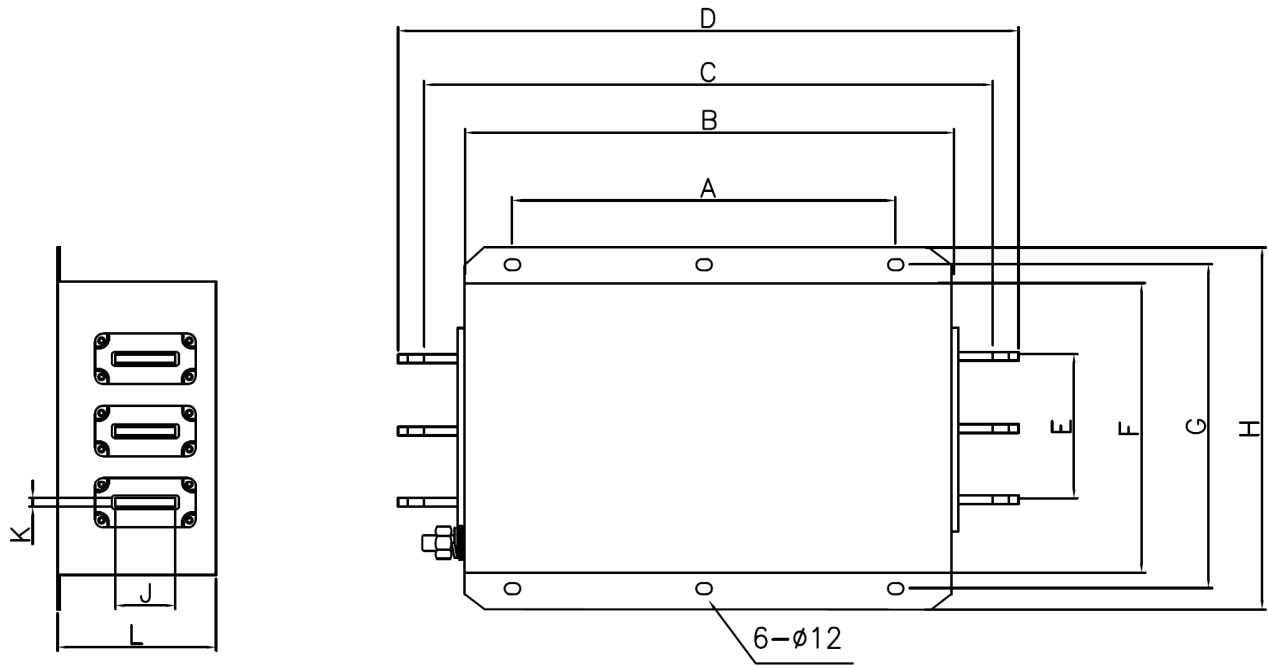
选型表 Type Selection Table

型号 Model	额定电流(A) Rated Current	变频/伺服器容量 (KW) VVVF/Servo Capacity	外形尺寸 Dim. Fig.	出线端子方式 Output Connection		重量 (公斤) Weight (kg)
						
DF601-5A-01	5	0.75/1.5	N2	M4	-	1.0
DF601-8A-01	8	2.2/3.7	N2	M4	-	1.1
DF601-16A-01	16	5.5/7.5	N5	M6	-	1.4
DF601-30A-01	30	11/14	N5	M6	-	1.6
DF601-45A-01	45	18.5/22	N10	M6	-	2.5
DF601-60A-01	60	30	N10	M6	-	3.0
DF601-75A-01	75	37	N12	M8	-	6.5
DF601-100A-01	100	45	N12	M8	-	7.0
DF601-120A-01	120	55	N12	M8	-	7.0
DF601-150A-01	150	75	N12	M10	-	10
DF601-200A-01	200	90	N12	M10	-	10
DF601-250A-01	250	110	N15	M10	-	10
DF601-300A-01	300	125/132/150	N30	-	5X25	14
DF601-420A-01	420	160/210/220	N30	-	5X25	14
DF601-500A-01	500	250/260	N60	-	6X30	16
DF601-600A-01	600	280/315	N60	-	6X30	16
DF601-800A-01	800	400	N80	-	8X40	20
DF601-1000A-01	1000	500	N90	-	10X50	22
DF601-1100A-01	1100	550	N90	-	10X50	22
DF601-1200A-01	1200	600	N90	-	10X50	23
DF601-1600A-01	1600	700	N100	-	10X60	23

外形尺寸 Outline Dimensions(mm)



	A	B	C	D	E	F	G	H
N2	110	125	140	70.0	93	56	5.3*7	M4
N5	150	168	186	85.0	105	60	6.4*9	M6
N10	200	220	240	100.0	120	80	6.4*9	M6
N12	260	286	314	140.0	170	107	8.8*14	M8
N15	300	326	354	160.0	185	112	8.8*14	M10



	A	B	C	D	E	F	G	H	K	J	L
N30	240	300	360	394	120	210	235	260	5.0	25	115
N60	290	350	410	444	120	210	230	256	6.0	30	162
N80	290	350	446	475	120	210	230	256	8.0	40	162
N90	290	350	456	485	120	210	230	256	10	50	162
N100	290	350	456	485	120	210	230	256	10	60	162

备注：以上规格为公司标准产品，可根据客户产品定制设计产品性能和尺寸外观。

Remark: Customized products are available according to special performance or dimensions requirements

更多产品请登陆官方网站：<http://www.dephir.com>

For more products please go to official website: <http://www.dephir.com>