

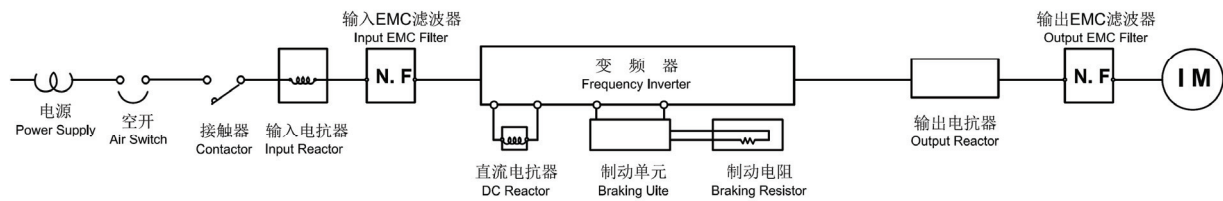


- 有效抑制谐波电流，提高整机功率因数
Reduction of harmonics, improve the power factor
- 有效抑制电网电压突变以及过电压引起的电流冲击
Over-voltage, surge suppression form power supply
- 改善电源对其它设备的干扰
Improve interference to over devices from power supply
- 改善电源相间电压不平衡大于额定电压
Overcome when unbalance of inter-phase voltage exceed 1.8% of rated voltage
- 可直接配套于各品牌的变频器/伺服
Can directly used for various brands of Frequency Inverters/Servo

技术参数 Technical Data

额定电压 Rated Voltage:	380V/440V
工作频率 Operation Frequency:	50/60Hz
额定电流 Rated Current:	3A-1600A
耐压测试 Hi-pot Test:	3.5kV, 60sec
绝缘等级 Insulation Class:	F or above
电抗率 Reactor Impedance:	2%
工作环境温度 Ambient temperature:	-25°C to 40°C
防护等级 Protection Category:	IP00
设计参考标准 Design corresponding to Standards:	GB19212.1-2008 / GB19212.21-2007 / GB1094.6-2011

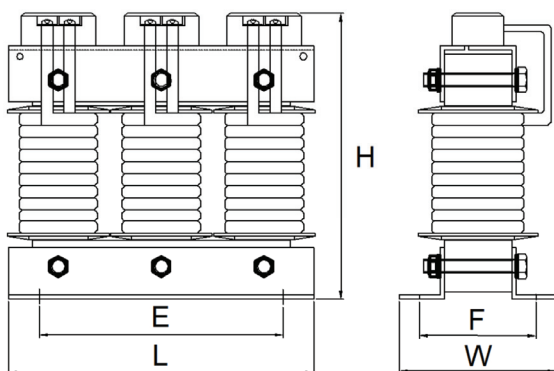
应用原理图 Application Schematic



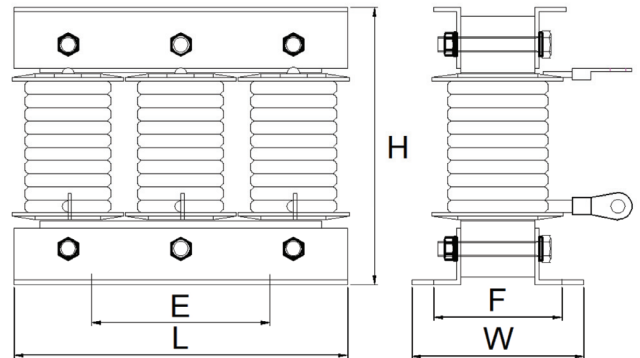
选型表 Type Selection Table

型号 Model	适配功率 Power (KW)	电感量 (mH) Inductance	额定电流 (A) Rated Current	外形尺寸 (mm) Dimensions			
				L (长)	W (宽)	H (高)	安装尺寸 E*F
DR1-5A	1.5	2.80	5	160	120	140	80*60
DR1-7A	2.2	2.00	7	160	120	140	80*60
DR1-10A	3.7	1.40	10	160	120	140	80*60
DR1-15A	5.5	0.93	15	160	120	140	80*60
DR1-20A	7.5	0.70	20	160	120	140	80*60
DR1-30A	11	0.47	30	160	120	140	80*60
DR1-40A	15	0.35	40	160	120	140	80*60
DR1-50A	18.5	0.28	50	160	130	140	80*75
DR1-60A	22	0.24	60	160	140	140	80*85
DR1-80A	30	0.17	80	190	150	160	80*85
DR1-90A	37	0.16	90	190	150	160	80*85
DR1-120A	45	0.12	120	190	150	160	80*95
DR1-150A	55	0.09	150	225	160	190	120*85
DR1-200A	75	0.07	200	225	160	220	120*85
DR1-220A	90	0.064	220	225	170	220	120*95
DR1-250A	110	0.056	250	225	180	220	120*95
DR1-290A	132	0.048	290	260	160	250	135*85
DR1-330A	160	0.042	330	260	170	250	135*95
DR1-390A	185	0.036	390	260	170	250	135*95
DR1-440A	200	0.032	440	260	170	250	135*95
DR1-490A	220	0.028	490	260	180	250	135*95
DR1-540A	250	0.025	540	290	200	310	135*95
DR1-600A	280	0.023	600	290	210	310	135*95
DR1-700A	315	0.021	700	290	210	310	135*105
DR1-800A	350	0.018	800	290	220	310	135*125
DR1-1000A	400	0.014	1000	290	230	310	135*125

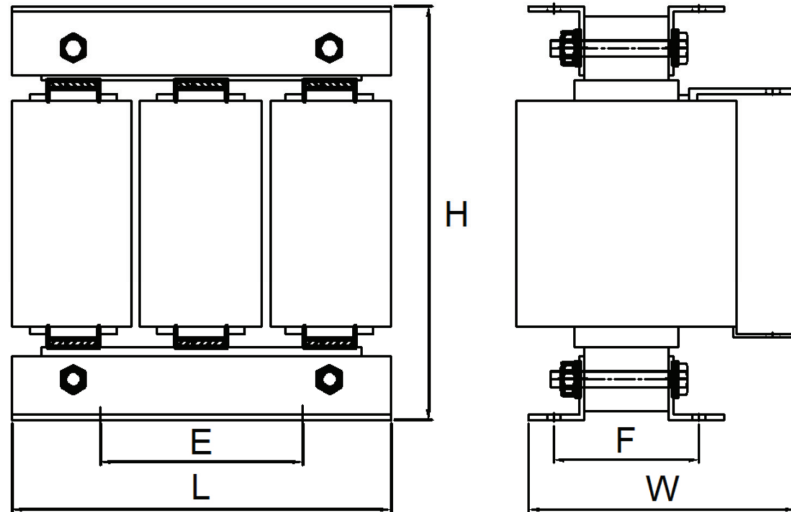
外形尺寸 Outline Dimensions(mm)



5A-20A Drawing



20A-150A Drawing



150A-1000A Drawing

备注：以上规格为公司标准产品，可根据客户产品定制设计产品性能和尺寸外观。

Remark: Customized products are available according to special performance or dimensions requirements

更多产品请登陆官方网站：<http://www.dephir.com>

For more products please go to official website: <http://www.dephir.com>