

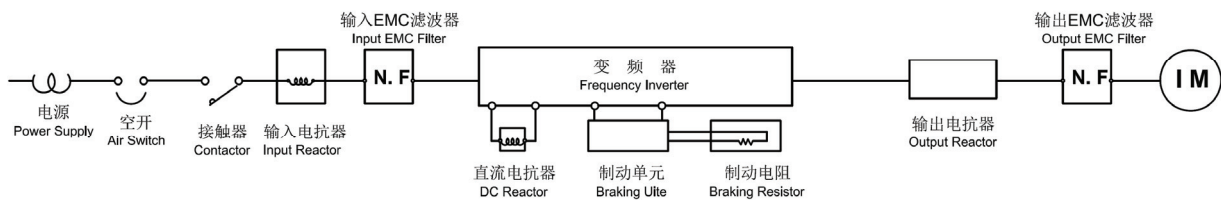


- 有效减弱马达噪声产生，延长马达的寿命
Reducing the stress caused by noise to motor and extended the life span of motors
- 用于平滑滤波，有效限制变频器输出的 dv/dt，延长电机寿命
Filter harmonic fluently and restrain transient voltage dv/dt to lengthen the lifetime of motors
- 减小电压过冲幅度，避免耐压击穿发生
Over-voltage restriction to prevent dielectric puncture
- 保护变频器内的开关功率开关器件
Protect the power switch components of Frequency Inverters.
- 可直接配套于各品牌的变频器/伺服
Can directly used for various brands of Frequency Inverters/Servo

技术参数 Technical Data

额定电压 Rated Voltage:	380V/440V/50Hz
额定电流 Rated Current:	5A-1600A
耐压测试 Hi-pot Test:	3.5kV, 60sec
绝缘等级 Insulation Class:	F or above
电抗率 Reactor Impedance:	1%
工作环境温度 Ambient temperature:	-25°C to 40°C
防护等级 Protection Category:	IP00
设计参考标准 Design corresponding to Standards:	GB19212.1-2008 / GB19212.21-2007 / GB1094.6-2011

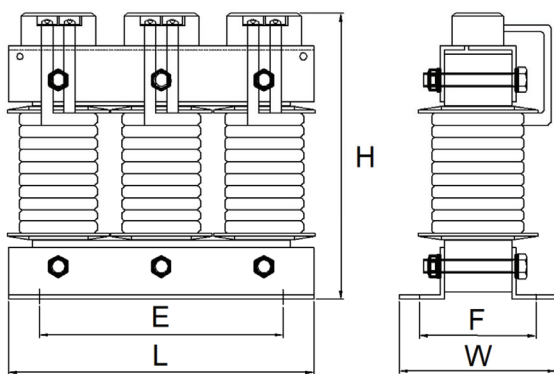
应用原理图 Application Schematic



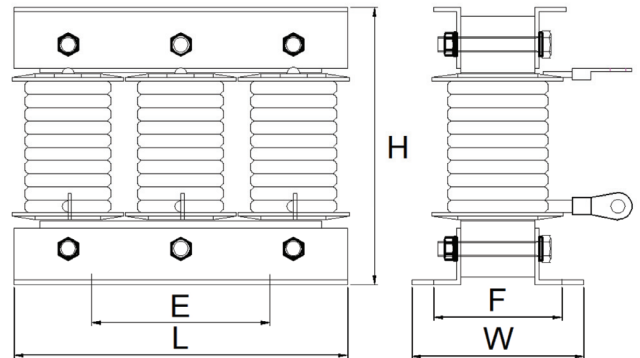
选型表 Type Selection Table

型号 Model	适配功率 Power (KW)	电感量 (mH) Inductance	额定电流 (A) Rated Current	外形尺寸 (mm) Dimensions			
				L (长)	W (宽)	H (高)	安装尺寸 E*F
DR2-5A	1.5	1.4	5	160	120	140	80*60
DR2-7A	2.2	1.0	7	160	120	140	80*60
DR2-10A	3.7	0.70	10	160	120	140	80*60
DR2-15A	5.5	0.47	15	160	120	140	80*60
DR2-20A	7.5	0.35	20	160	120	140	80*60
DR2-30A	11	0.23	30	160	120	140	80*60
DR2-40A	15	0.18	40	160	120	140	80*60
DR2-50A	18.5	0.14	50	160	130	140	80*75
DR2-60A	22	0.117	60	160	140	140	80*85
DR2-80A	30	0.088	80	190	150	160	80*85
DR2-90A	37	0.078	90	190	150	160	80*85
DR2-120A	45	0.058	120	190	150	160	80*95
DR2-150A	55	0.047	150	225	160	190	120*85
DR2-200A	75	0.035	200	225	160	220	120*85
DR2-220A	90	0.032	220	225	170	220	120*95
DR2-250A	110	0.028	250	225	180	220	120*95
DR2-290A	132	0.024	290	260	160	250	135*85
DR2-330A	160	0.021	330	260	170	250	135*95
DR2-390A	185	0.018	390	260	170	250	135*95
DR2-440A	200	0.016	440	260	170	250	135*95
DR2-490A	220	0.014	490	260	180	250	135*95
DR2-540A	250	0.013	540	290	200	310	135*95
DR2-600A	280	0.012	600	290	210	310	135*95
DR2-700A	315	0.010	700	290	210	310	135*105
DR2-800A	350	0.009	800	290	220	310	135*125
DR2-1000A	400	0.007	1000	290	230	310	135*125

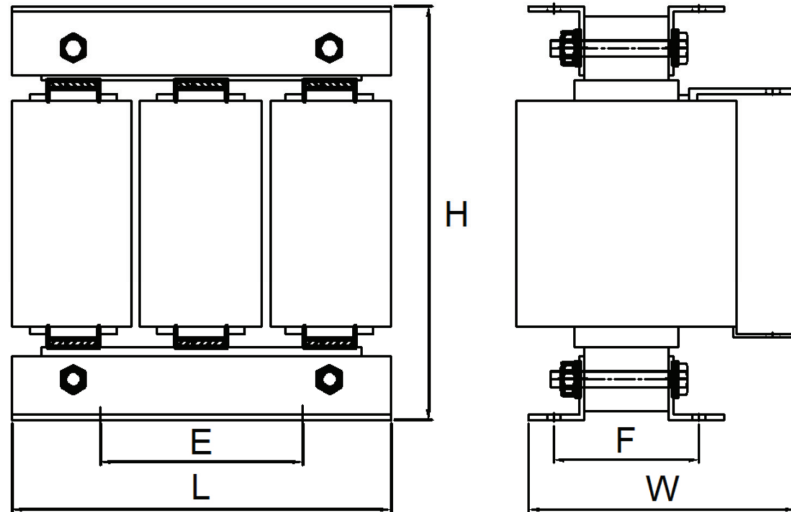
外形尺寸 Outline Dimensions(mm)



5A-20A Drawing



20A-150A Drawing



150A-1000A Drawing

备注：以上规格为公司标准产品，可根据客户产品定制设计产品性能和尺寸外观。

Remark: Customized products are available according to special performance or dimensions requirements

更多产品请登陆官方网站：<http://www.dephir.com>

For more products please go to official website: <http://www.dephir.com>